

**NOTES:**

1. CHEMICAL DOSING PIPES SHALL BE REINFORCED NYLON PIPES OR uPVC AS INDICATED ON DETAILS

SHOP DRAWINGS FOR PIPEWORK TO BE SUBMITTED TO THE ENGINEER FOR APPROVAL BEFORE FABRICATION

**LEGEND FOR ISOMETRIC DETAILS OF OVERFLOW PIPEWORK**

- uPVC PIPE
- ⊕ uPVC SOCKETED TEE
- ⌒ uPVC SOCKETED BEND (90°)
- ⌒ uPVC SOCKETED BEND (22½°)

**LEGEND FOR ISOMETRIC DETAILS OF CLEAR WATER SUPPLY TO CHLORINE MIXING TANKS**

- uPVC PIPE
- ⊕ uPVC SOCKETED TEE
- ⌒ uPVC SOCKETED BEND
- ⊞ SOCKET OR COUPLER
- ⌒ uPVC TAP

**LEGEND FOR ISOMETRIC DETAILS OF SCOUR PIPE**

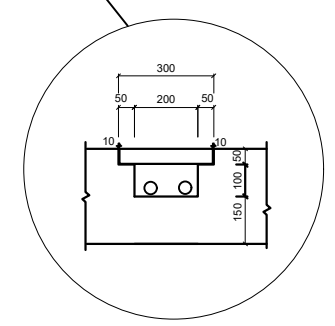
- uPVC PIPE
- ⊕ uPVC FEMALE THREADED STOP VALVE (SAUNDERS VALVES)
- ⌒ uPVC SOCKETED BEND

**LEGEND FOR ISOMETRIC DETAILS OF CHLORINE DOSING PIPEWORK**

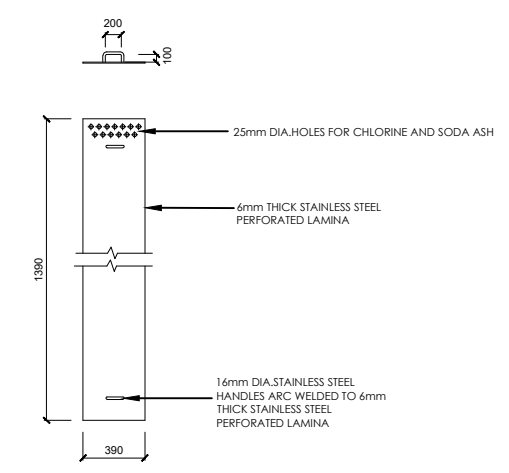
- uPVC PIPE
- ⊕ uPVC FEMALE THREADED STOP VALVE (SAUNDERS VALVES)
- ⊕ uPVC SOCKETED TEE
- ⌒ uPVC SOCKETED BEND WITH RODING EYE

**SCHEMATIC DIAGRAM OF PIPE RANGES AND CLEAR WATER SUPPLY TO MIXING TANKS**


**NTS**




**SECTION AND PLAN OF CHEMICAL MIXING TRAY**



REV	REVISIONS	SIGN	DATE	APPROVED
	BY			
	CHECKED			
	BY			
	CHECKED			
	BY			
	CHECKED			
CO	BY			
	CHECKED			

**CLIENT**  

**TANA WATER WORKS DEVELOPMENT AGENCY**  
 P. O. BOX 1292-10100 NYERI

**PROJECT**  
**NGARIAMA NJUKIINI WATER PROJECT**

**Civil/Structural Engineers**  

**TANA WATER WORKS DEVELOPMENT AGENCY**  
 P. O. BOX 1292-10100 NYERI

**Drawing Title**  
**NGARIAMA NJUKIINI WATER PROJECT**  
**CHLORINE BUILDING**  
**SCHEMATIC DRAWING (SHEET 2 OF 2)**

Designed by DWN	Drawn by EWN
Checked by JMM	Approved by
Scale AS SHOWN (A1)	Date AUG, 2022
Job No. 1	ACAD File:
C STATUS	DRAWING No. <b>TWDA/NNWP/CHL-002</b> CO REV