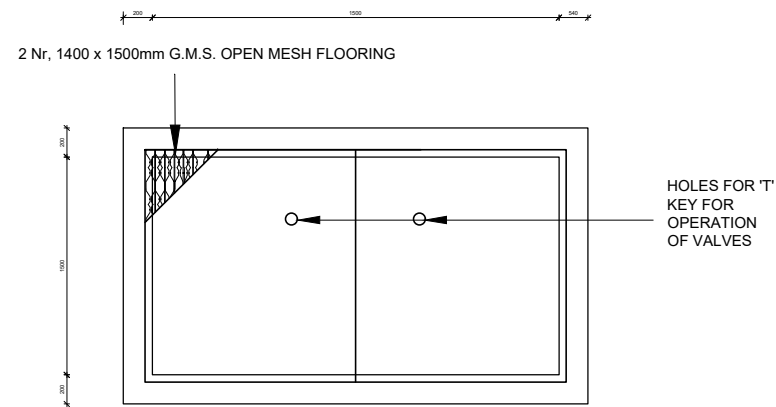
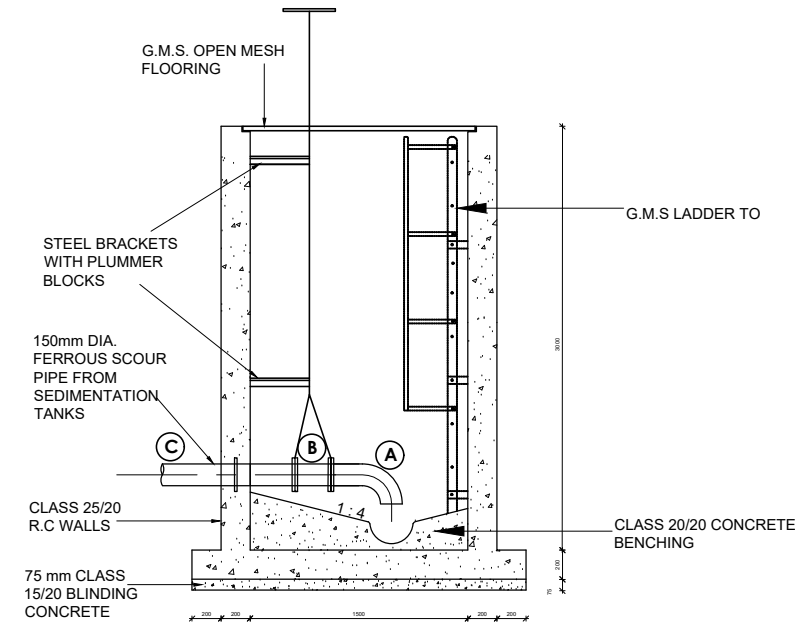


SCOUR CHAMBER - PLAN
(COVER TO CHAMBER NOT SHOWN)



PLAN OF SCOUR CHAMBER SHOWING COVER



SECTION C-C

NOTES

1. ALL DIMENSIONS ARE IN MILLIMETRES UNLESS OTHERWISE STATED
2. ALL LEVELS ARE IN METRES UNLESS OTHERWISE STATED
3. ALL EXPOSED CONCRETE EDGES SHALL HAVE A 20x20mm CHAMFER
4. ONE SEDIMENTATION TANK TO BE CONSTRUCTED DURING PHASE 1


LEGEND

- DN - NOMINAL DIAMETER
- PCC - PRECAST CONCRETE
- RC - REINFORCED CONCRETE
- GMS - GALVANISED MILD STEEL
- EGL - EXISTING GROUND LEVEL
- FGL - FINISHED GROUND LEVEL
- FL - FINISHED LEVEL


FOR CONSTRUCTION

signed CMTS

REV	REVISIONS	BY	SIGN	DATE	APPROVED
		CHECKED			
		CHECKED			
		CHECKED			
		CHECKED			
CO	ISSUED FOR CONSTRUCTION	BY			
		CHECKED			

CLIENT

TANA WATER WORKS DEVELOPMENT AGENCY
 P. O. BOX 1292-10100
 NYERI

PROJECT
DESIGN FOR KAHARO WATER TREATMENT WORKS - OTHAYA

Civil/Structural Engineers

TANA WATER WORKS DEVELOPMENT AGENCY
 P. O. BOX 1292-10100
 NYERI

Drawing Title
**KAHARO WATER TREATMENT WORKS
 DETAILS OF SCOUR PIPEWORK
 AND CHAMBERS**

Designed by	DWN	Drawn by	EWN
Checked by	JMM	Approved by	
Scale	AS SHOWN (A1)	Date	SEP 2022
Job No.	1	ACAD File:	
PD STATUS	DRAWING No. TWWDA/KTW/ST-03	CO REV	