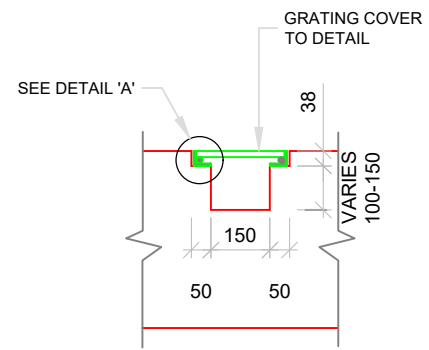


- ROOF**  
 CONCRETE ROOF TILES LAID ON GALVANIZED PLAIN SHEETS GAUGE 28 LAID AT 22.5° SLOPE OVER GAUGE 1000 POLYTHENE UNDERLAY ON:
1. TIMBER TRUSSES (150x50 mm RAFTERS & TIES, 100x50 mm STRUTS) AT 1500 mm C/C
  2. 150x50 mm RAFTERS BETWEEN TRUSSES AT 600mm C/C
  3. 150x50 mm PURLINS AT TRUSS NODES
  4. 100x50 mm WALL PLATE
  5. 200x50 mm RIDGE BOARD
  6. 250x40 mm FASCIA BOARD
  7. 40x40 mm TIMBER BATTENS AT 300 mm C/C
  8. 12 mm CHIP BOARD CEILING

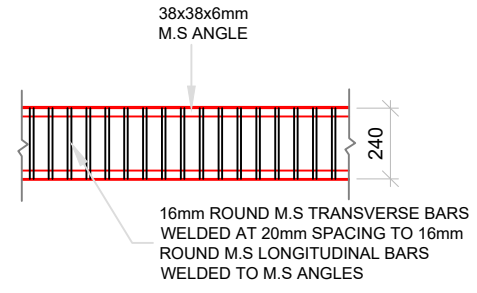
**PUMP HOUSE AND AIR BLOWER ROOM  
SECTION A-A**

**DRAIN CHANNEL & COVER  
DETAILS**



**SECTION THROUGH  
DRAIN CHANNEL**

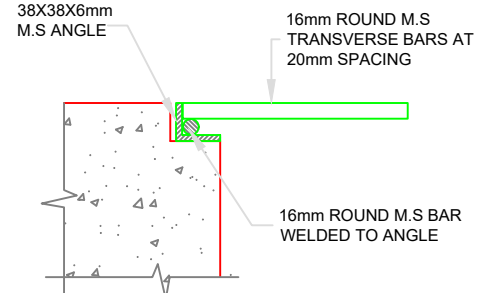
SCALE 1:20



NOTE: GRATING COVER FOR SUMP SIMILAR BUT SIZE 390x390

**PLAN OF DRAIN CHANNEL  
GRATING COVER:**

(NTS)



**DETAIL 'A'**

(NTS)

**NOTES:**

1. DIMENSIONS IN mm UNLESS OTHERWISE SPECIFIED
2. ALL EXPOSED CONCRETE EDGES HAVE A 25mm X 25mm CHAMFER
3. P.C.C WINDOW CILLS TO HAVE DRIPS
4. CONCRETE WORKS: ALL REINFORCED CONCRETE IS CLASS 30/20 EXCEPT WHERE OTHERWISE SPECIFIED
5. ABBREVIATIONS  
 R.C – REINFORCED CONCRETE  
 D.P.C – DAMP PROOF COURSE  
 E.G.L – EXISTING GROUND LEVEL  
 F.G.L – FINISHED GROUND LEVEL  
 F.F.L – FINISHED FLOOR LEVEL  
 P.C.C – PRECAST CONCRETE  
 G.C.I – GALVANIZED CORRUGATED IRON
6. FOR PUMPS, AIR BLOWERS AND PIPEWORK DETAILS SEE DRG. No. 407/CG/TW/KR/PH/04 & 05

**ISSUED FOR CONSTRUCTION**

REVISIONS		SIGN	DATE	APPROVED
BY	CHECKED			
BY	CHECKED			
BY	CHECKED			
BY	CHECKED			

CLIENT: **THE CHIEF EXECUTIVE OFFICER  
TANA WATER WORKS  
DEVELOPMENT AGENCY**  
 P.O BOX 1292 - 10100,  
 NYERI, KENYA

ENGINEER: **CHIEF MANAGER TECHNICAL  
SERVICES,  
TANA WATER WORKS  
DEVELOPMENT AGENCY**  
 P.O BOX 1292 - 10100,  
 NYERI, KENYA

PROJECT TITLE:

**TETU- AGUTHI WATER SUPPLY**

DRAWING TITLE:

**TETU-AGUTHI TREATMENT WORKS  
BACKWASH PUMPS AND  
AIR BLOWER ROOM  
SECTION A-A**

Designed by: R.M.N.	Drawn by: R.M.N.
Checked by: J.M.M	Approved by: D.N.M
Scale: 1:50	Date: JAN 2024

DRG No. **TAWP/BAPH/02**