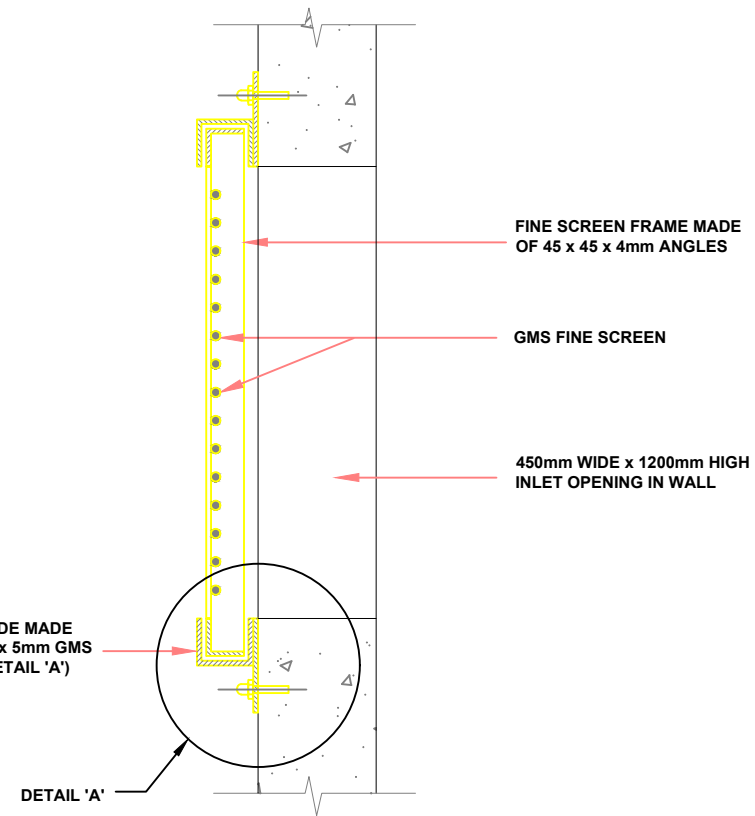
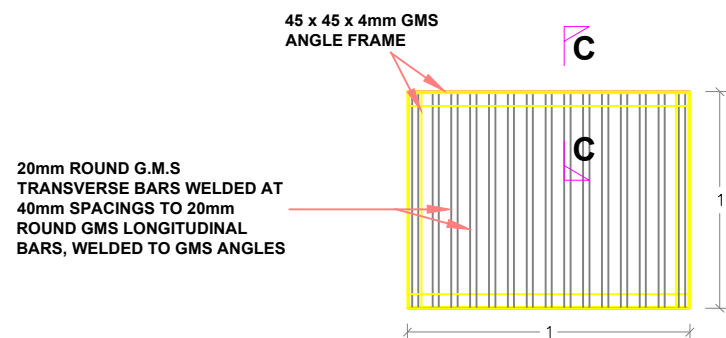


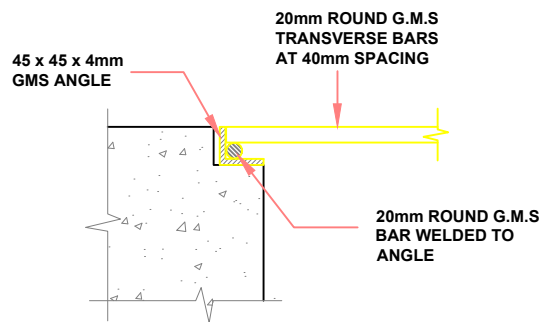
FINE BAR SCREEN ELEVATION
SCALE 1:25



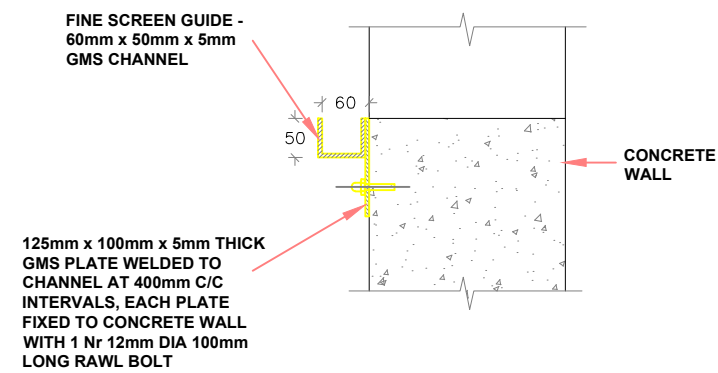
FINE SCREEN & GUIDES
SECTIONAL PLAN
NTS



GMS GRATING COVER OVER FINE SCREEN
ACCESS OPENING
PLAN
SCALE 1:25



SECTION C-C
NTS



DETAIL 'A'
FINE SCREEN GUIDE FIXING DETAIL
SCALE 1:10

NOTES

1. ALL DIMENSIONS ARE IN MM UNLESS OTHERWISE STATED
2. ALL LEVELS ARE IN METERS
3. ALL EXPOSED CONCRETE EDGES TO HAVE 25mm x 25mm CHAMFER
4. ALL STEEL WORKS AFTER FABRICATION TO BE CLEANED IN ACCORDANCE WITH THE SPECIFICATIONS AND HOT DIPPED GALVANIZED
5. STEEL SECTION SIZES ARE AS TAKEN FROM BROLLO COLD ROLLED PROFILES CATALOG BY BROLLO KENYA LTD.
6. ABBREVIATIONS:
EGL - EXISTING GROUND LEVEL
FGL - FINISHED GROUND LEVEL
RC - REINFORCED CONCRETE
GMS - GALVANIZED MILD STEEL

ISSUED FOR CONSTRUCTION

REVISIONS	SIGN	DATE	APPROVED
	CHECKED		
	CHECKED		
	CHECKED		

CLIENT: THE CHIEF EXECUTIVE OFFICER
TANA WATER WORKS
DEVELOPMENT AGENCY
P.O BOX 1292 - 10100,
NYERI, KENYA

PROJECT TITLE:
TETU AGUTHI WATER SUPPLY PROJECT

DRAWING TITLE:
INTAKE WORKS
FINE SCREEN DETAILS

Designed by: R.M.N.	Drawn by: R.M.N.
Checked by: J.M.M.	Approved by: J.M.M.
Scale: AS SHOWN	Date: JAN 2024
DRG No. TWWDA/IW/05	REV