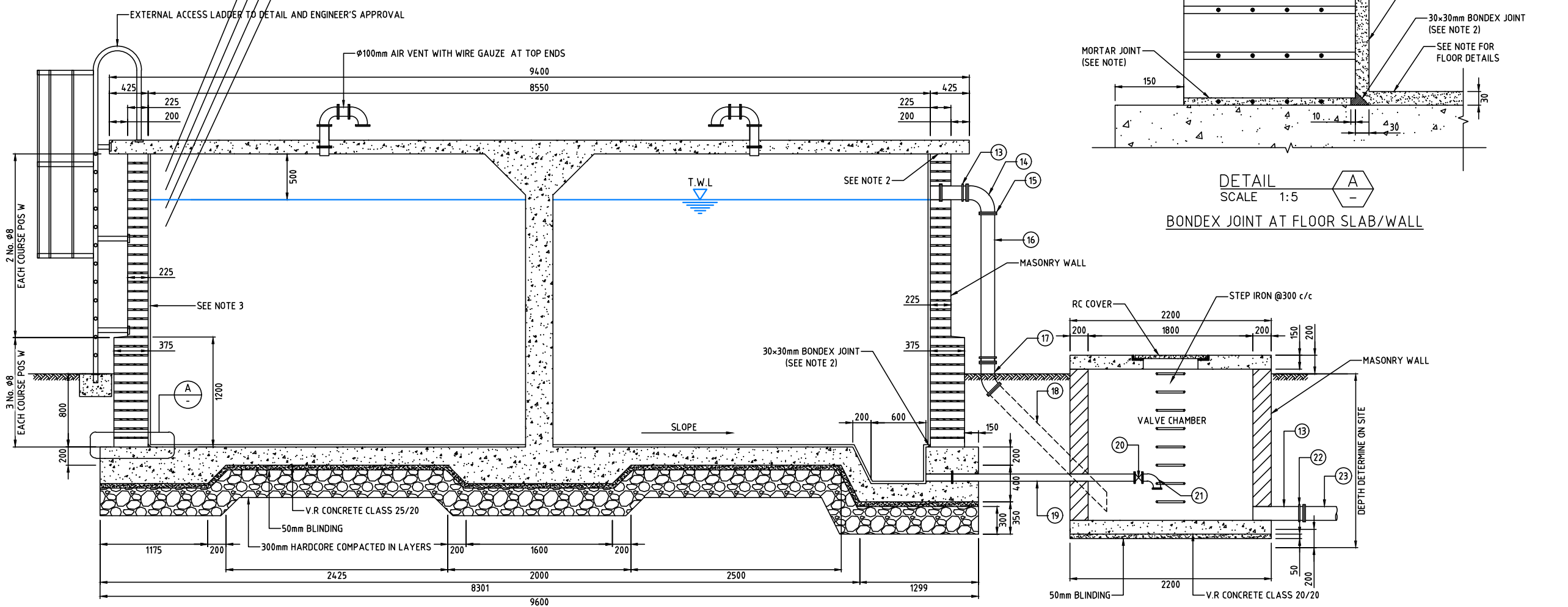
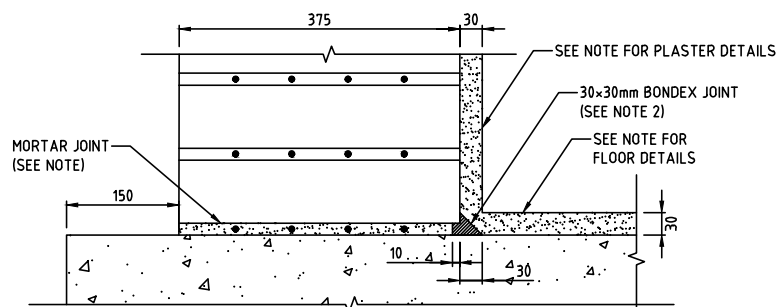


SECTION 1
SCALE (A1) 1:25



SECTION 2
SCALE (A1) 1:25




DETAIL A
SCALE 1:5
BONDEX JOINT AT FLOOR SLAB/WALL

NOTES


- HARD-CORE LAYER THICKNESS SHALL BE DETERMINED BY THE ENGINEER, BUT NOT LESS THAN 200mm
- MASONRY WALL SHALL NOT BE CONNECTED TO EITHER THE FLOOR SLAB NOR THE ROOF SLAB. THE WALL SUPPORTING AREA OF THE FLOOR SLAB AS WELL AS THE TOP OF THE WALL SHALL BE TROWEL FINISHED AND BE PAINTED WITH THREE COATS OF BITUMINOUS PAINT.
- THE MASONRY WALL SHALL BE BUILT OF GOOD QUALITY LOCAL BUILDING STONES OR CONCRETE BLOCKS. THE SIZE OF THE STONES SHALL BE: WIDTH: NOT LESS THAN 225mm LENGTH: BETWEEN 200mm AND 300mm HEIGHT: NOT MORE THAN 150mm
- CONCRETE: CONCRETE CLASS 20/20 (MIXTURE 1:2:4) FOR FLOOR SLAB, ROOF SLAB AS WELL AS CONCRETE BLOCKS. CONCRETE CLASS Q (MIXTURE 1:3:6) FOR BLINDING.
- REINFORCEMENT: MILD STEEL BARS TO BS 4449. MINIMUM CONCRETE COVER TO THE REINFORCEMENT = 40mm
- CONSTRUCTION JOINTS ARE NOT PERMITTED. THE SLABS MUST BE CASTED IN ONE LAYING.
- FORM WORK FOR THE ROOF SLAB MUST HAVE A CHAMBER OF 15mm AT THE CENTER.
- EXTERIOR SURFACE OF THE TANK SHALL RECEIVE ONE COAT OF CEMENT WASH.
- INTERIOR SURFACE OF THE TANK SHALL BE PLASTERED, THICKNESS 15mm, WITH MORTAR MIXTURE 2:1 (SAND:CEMENT) TO OBTAIN A WATER PROOF PLASTERING; PU/DLO CEMENT SHOULD BE ADDED.

FOR CONSTRUCTION
signed CMTS

REV	REVISIONS	BY	SIGN	DATE	APPROVED
		CHECKED			
		BY			
		CHECKED			
		BY			
		CHECKED			
CO	ISSUED FOR CONSTRUCTION	BY			
		CHECKED			

CLIENT

TANA WATER WORKS DEVELOPMENT AGENCY
 P. O. BOX 1292-10100 NYERI

PROJECT
DESIGN FOR KAHARO WATER PROJECT - OTHAYA

Civil/Structural Engineers

TANA WATER WORKS DEVELOPMENT AGENCY
 P. O. BOX 1292-10100 NYERI

Drawing Title
KAHARO WATER PROJECT STORAGE TANK 150M3 SECTIONS

Designed by DWN	Drawn by EWN
Checked by JMM	Approved by
Scale AS SHOWN (A1)	Date SEPT 2022
Job No. 1	ACAD File:
PD STATUS	DRAWING No. TWWDA/KWP/ST-05
	CO REV