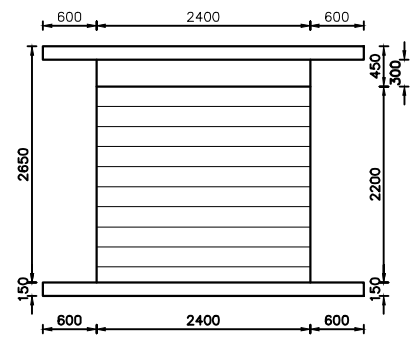
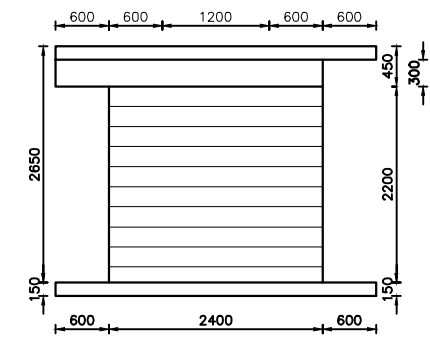


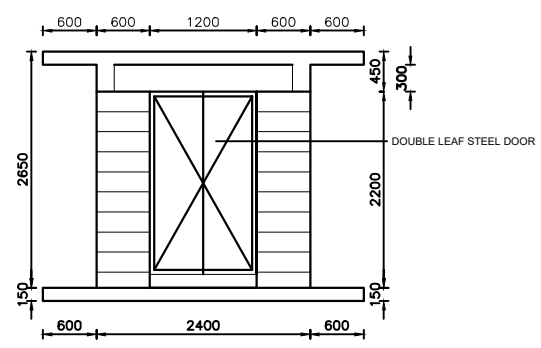
PLAN  
SCALE 1:30



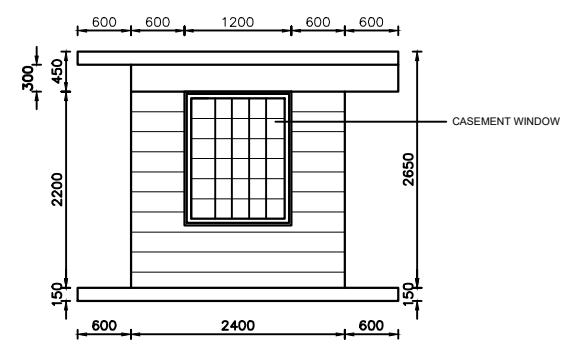
SIDE ELEVATION 1  
SCALE 1:40



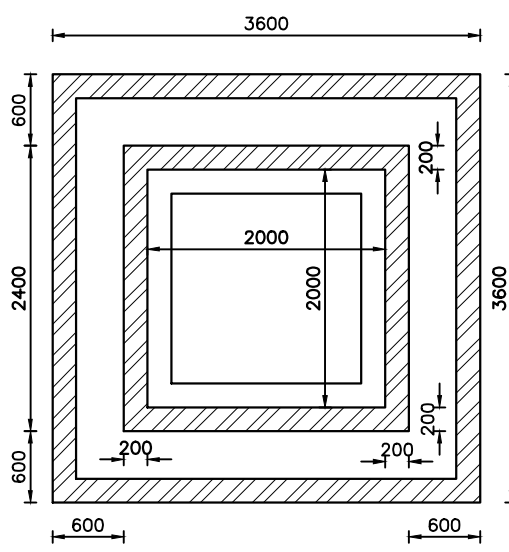
SIDE ELEVATION 2  
SCALE 1:40



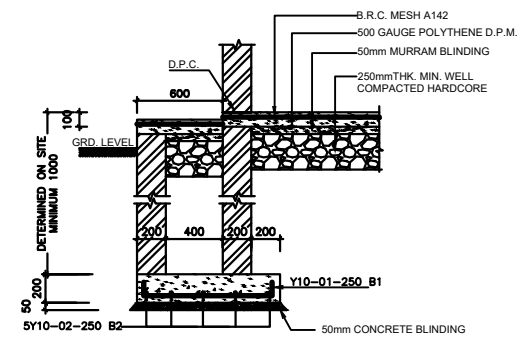
SIDE ELEVATION 3  
SCALE 1:40



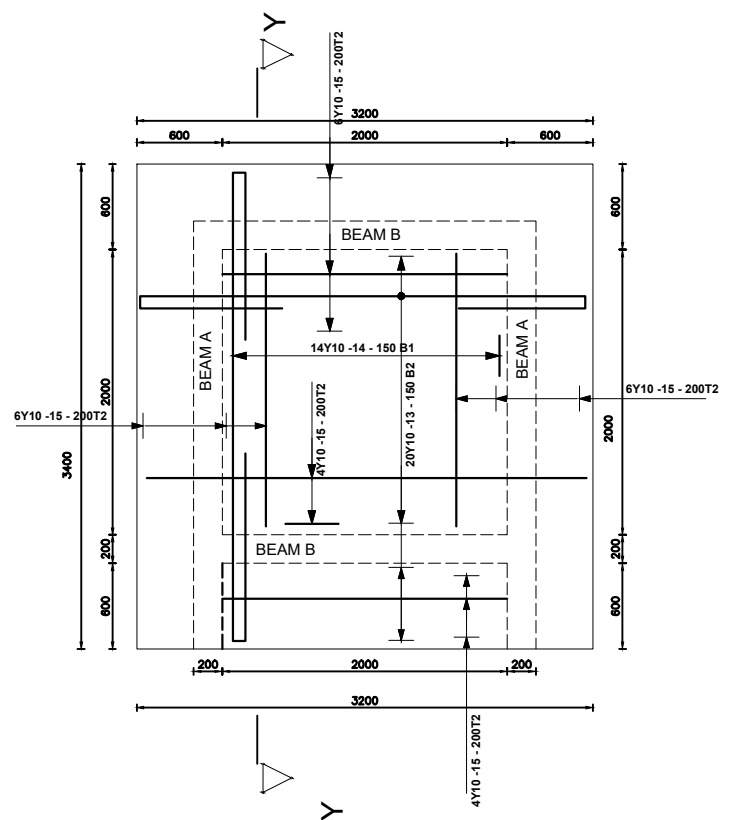
SIDE ELEVATION 4  
SCALE 1:40



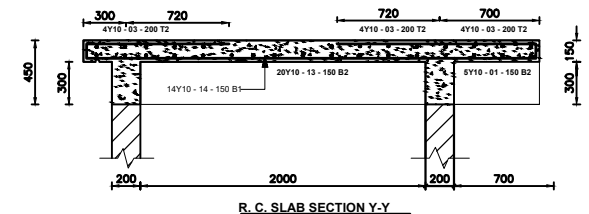
FOUNDATION PLAN  
SCALE 1:30



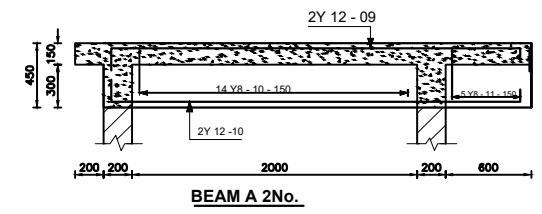
SECTION A-A  
SCALE 1:25



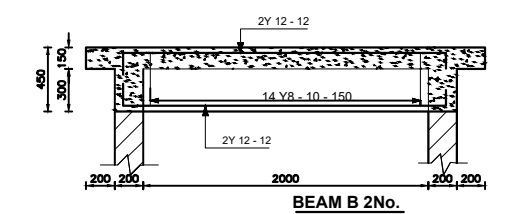
R.C. SLAB DETAILS



R.C. SLAB SECTION Y-Y




BEAM A 2No.



BEAM B 2No.

- NOTES:
- Structural concrete to be Class 20/25, 1:1.5:3 Mix.
  - Blinding concrete to be Class 10/15, 1:3:6 Mix.
  - Reinforcement: Y - Square twisted H.T. bars to BS 4461
  - Concrete cover to reinforcement: slabs - 15mm, beams - 25mm columns - 40mm, bases - 50mm

CLIENT:  

**TANA WATER WORKS DEVELOPMENT AGENCY**  
 P.O BOX 1292 - 10100 NYERI

CONTRACTOR:

REVISIONS		
No.	DATE	DETAILS

PROJECT TITLE:  
 STANDARD DRAWINGS FOR BOREHOLE EQUIPPING

DRAWING TYPE:  
 GUARD HOUSE PLAN AND ELEVATIONS DETAIL.

DESIGN BY:	NAME	DATE	SIGNATURE
DRAWN BY:			
CHECKED BY:			
APPROVED BY:			