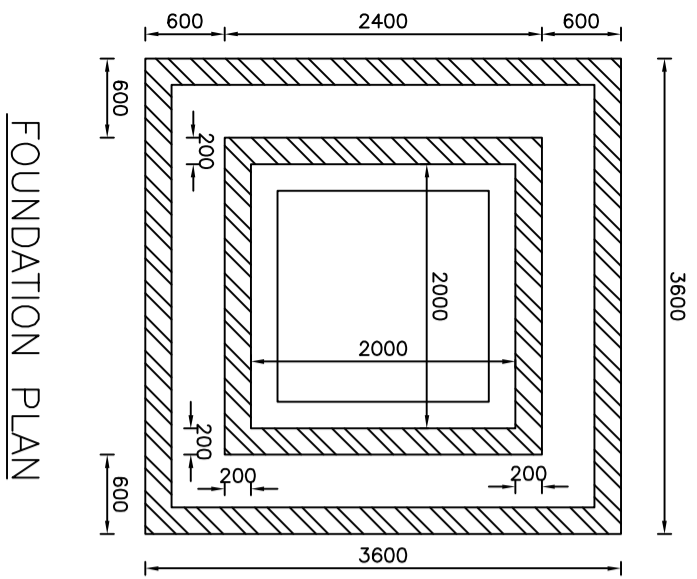
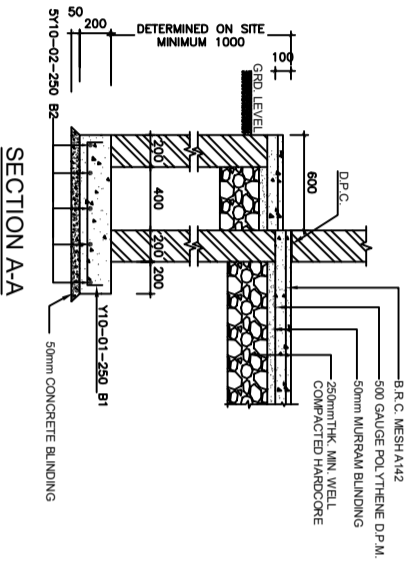


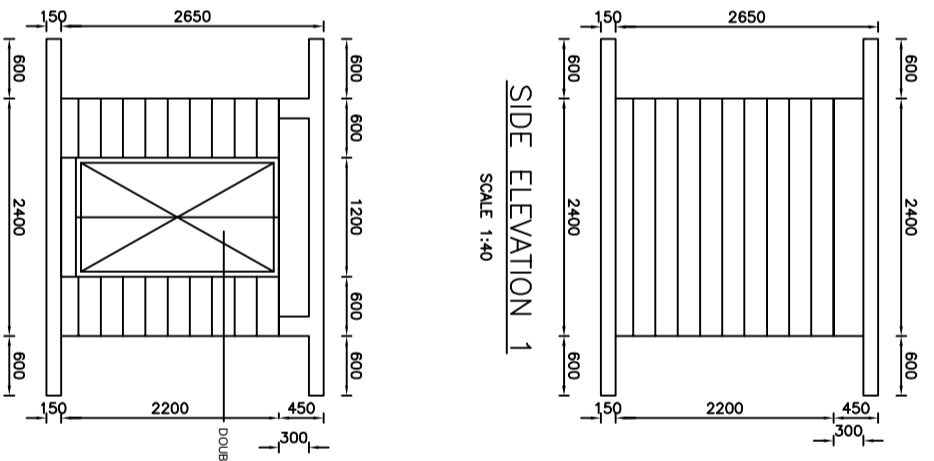
PLAN
SCALE 1:30



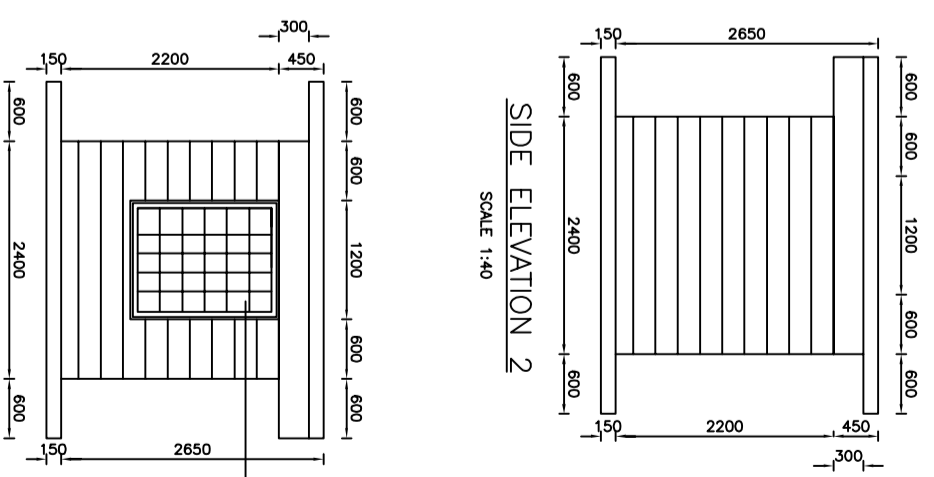
FOUNDATION PLAN
SCALE 1:30



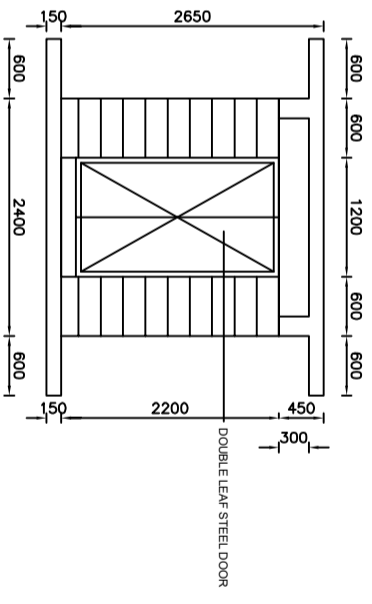
SECTION A-A
SCALE 1:25



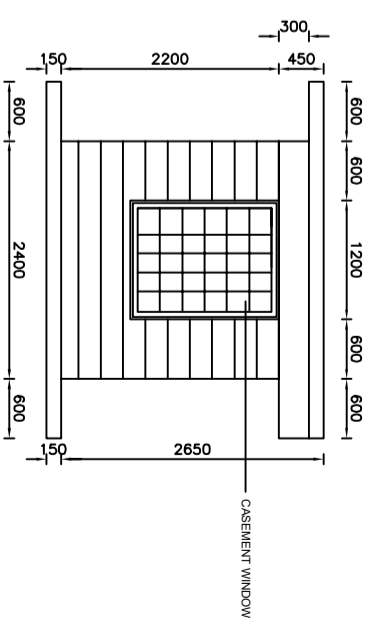
SIDE ELEVATION 1
SCALE 1:40



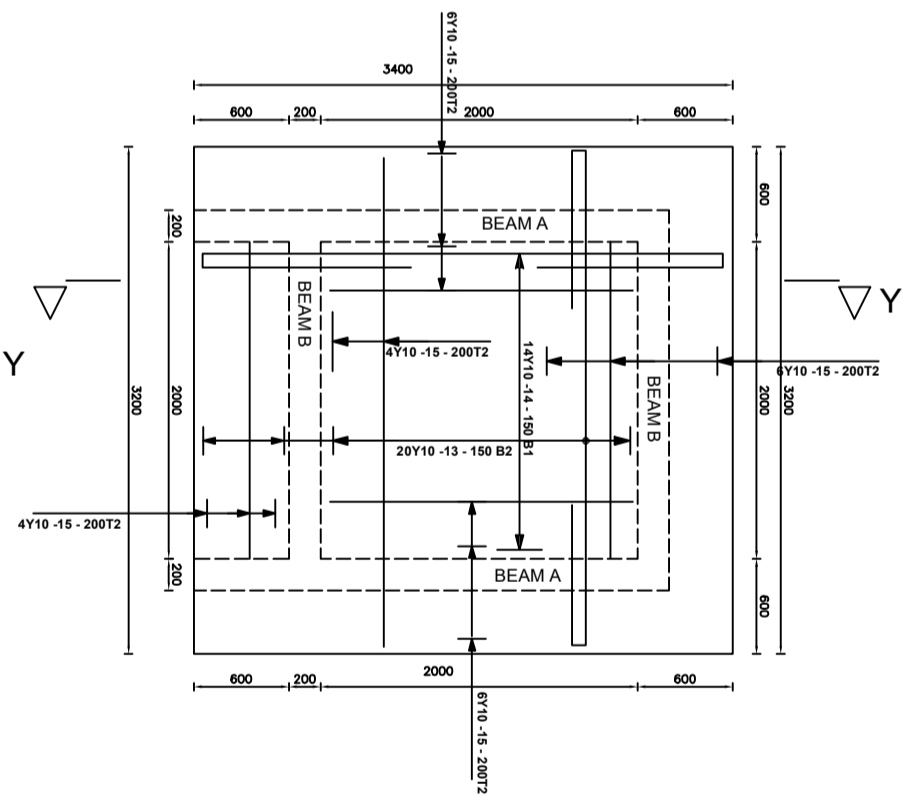
SIDE ELEVATION 2
SCALE 1:40



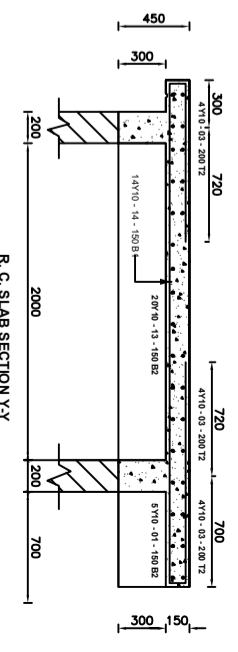
SIDE ELEVATION 3
SCALE 1:40



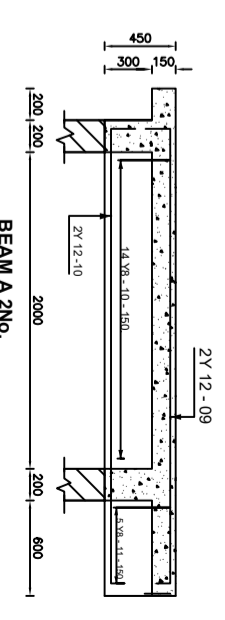
SIDE ELEVATION 4
SCALE 1:40



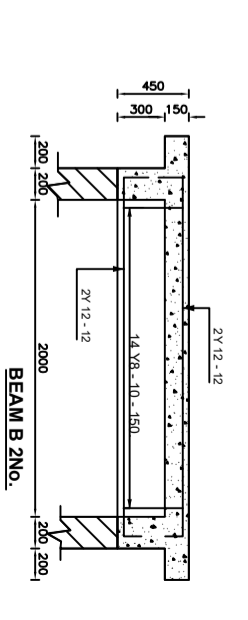
R.C. SLAB DETAILS



R.C. SLAB SECTION V-V



BEAM A 2NO.



BEAM B 2NO.

NOTES:
1. Structural concrete to be Class 20/25: 1:1.5:3 Mix.
2. Blinding concrete to be Class 10/15: 1:3:6 Mix.
3. Reinforcement: Y - Square twisted H.T. bars to BS 4461
4. Concrete cover to reinforcement: slabs - 15mm, beams - 25mm
columns - 40mm, bases - 50mm

CLIENT: TANIA WATER WORKS DEVELOPMENT AGENCY
P.O BOX 1292 - 10100 NYERI

CONTRACTOR:

REVISIONS		
No.	DATE	DETAILS

DRAWING TYPE: TFWWA STANDARD DRAWING- GUARD HOUSE

DESIGN BY:	NAME:	DATE:	SIGNATURE: