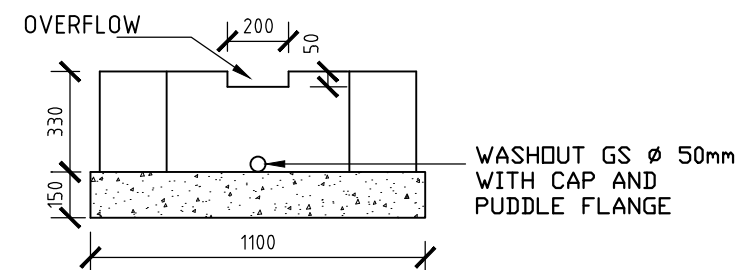
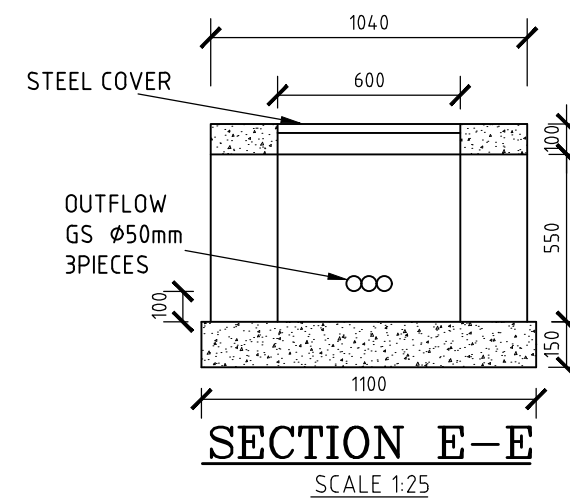
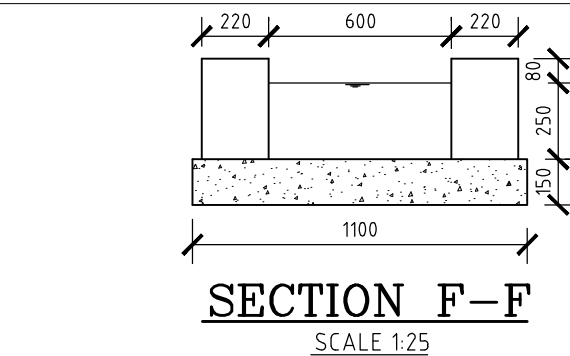
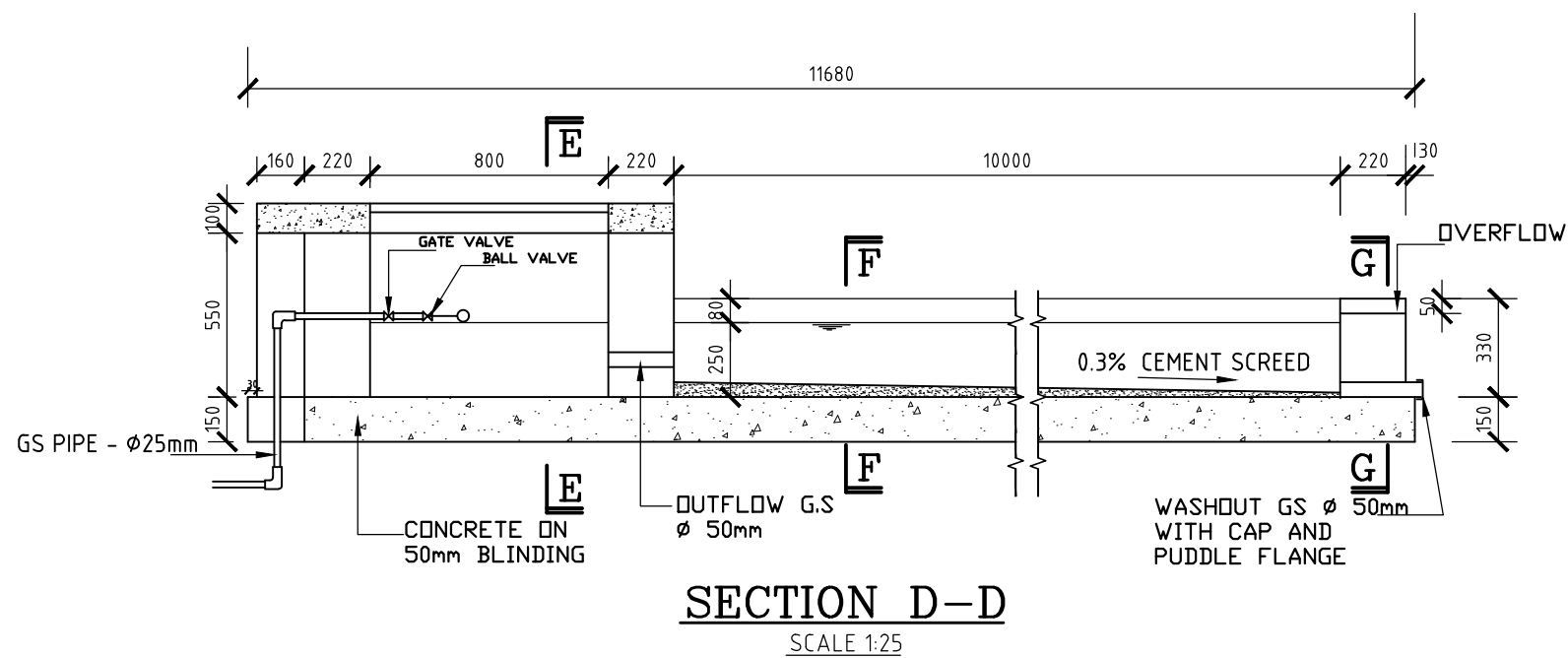
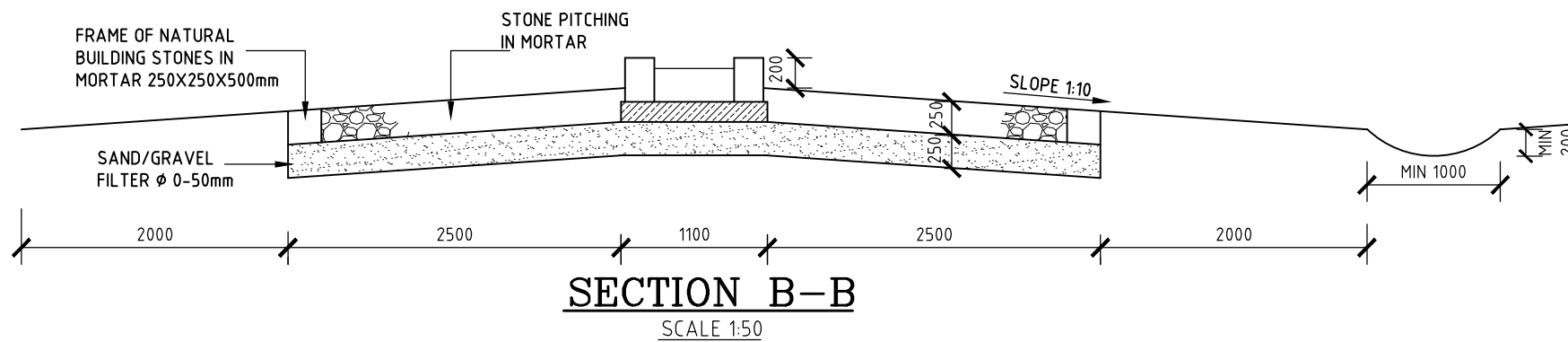
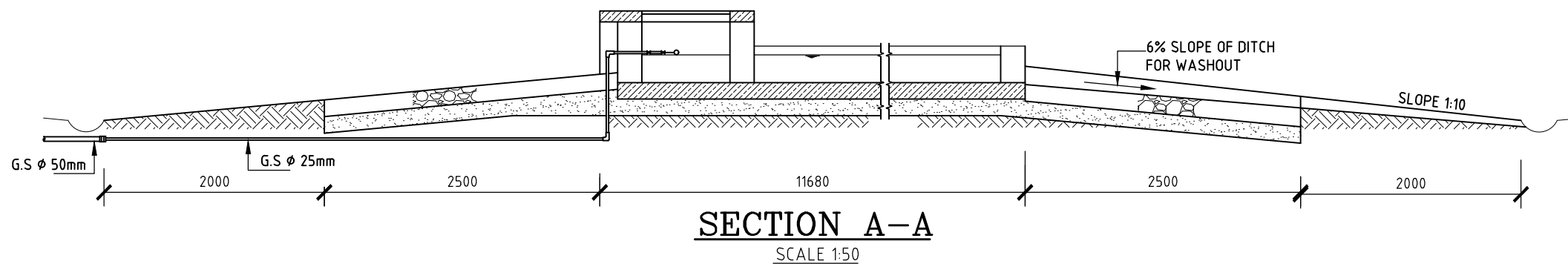




NOTES



REV	REVISIONS	SIGN	DATE	APPROVED
	BY			
	CHECKED			
	BY			
	CHECKED			
	BY			
	CHECKED			
	BY			
	CHECKED			

Client

TANA WATER WORKS DEVELOPMENT AGENCY
 P.O BOX 1292-10100
 NYERI

Project
PRELIMINARY DESIGN OF KWA NGOVU DAM

Civil/Structural Engineers

TANA WATER WORKS DEVELOPMENT AGENCY
 P.O BOX 1292-10100
 NYERI

Drawing Title
**CATTLE TROUGH
 PLAN & SECTION DETAILS**

Designed by DWN	Drawn by BNW
Checked by JMM	Approved by
Scale AS SHOWN (A1)	Date MAY, 2024
Job No. 1	ACAD File: